

## Vacuum Packers

### Vacuum packer 20m<sup>3</sup>/h table top (UK plug)

ITEM # \_\_\_\_\_

MODEL # \_\_\_\_\_

NAME # \_\_\_\_\_

SIS # \_\_\_\_\_

AIA # \_\_\_\_\_



602215 (EVP20T)

\* NOT TRANSLATED \*

### Main Features

- Table-top vacuum packer with oil lubricated vacuum pump.
- Vacuum level control through high-precision, absolute-type vacuum sensor, which does not require calibration.
- Pressure chamber made of constant thickness, hydroformed, stainless steel with rounded corners for easy cleaning.
- Sturdy, transparent PMMA (plexiglass) lid with rounded edges; opens automatically at the end of the cycle.
- User friendly interface thanks to a 5" touch screen control panel, made of tempered glass, resistant to liquids, humidity, dirt and dust.
- 5 display languages: EN, FR, IT, DE, ES.
- 10 editable user programs (vacuum, extra vacuum, sealing time, gas percentage).
- 4 preset (Gourmet) cycles for food processing.
- 3 preset cycles (Gasplus) with inert gas injection (for delicate/soft foods).
- 4 vacuum cycles for jars/containers.
- 2 preset cycles for preservation and sous vide cooking.
- 1 programmable deaeration program on eight vacuum phases and eight pause phases (Degas).
- Softair slow air return at the end of the cycle, more gentle on food (avoids deformation).
- Adjustable sealing time 0.1 to 6 seconds.
- Specific pump oil cleaning cycle (H2Out).
- Automatic warnings if food needs cooling down (hot), failure in the packing process, gas missing, oil change.
- Pre-arranged for external vacuum packing in containers by connecting a specific pipe to the air extraction nozzle (available as spare part).
- 3 PE filling plates included.
- Sealing bar 410 mm, easily removable for cleaning.
- Unit pre-arranged to be connected to an inert gas system.

### Construction

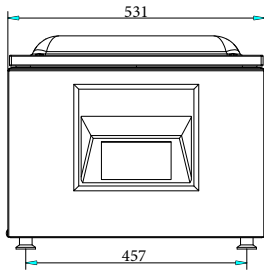
- Entirely constructed in 304 AISI stainless steel.
- Easy access for service through hinged opening of the body.

### Optional Accessories

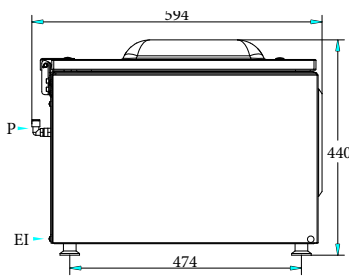
- - NOT TRANSLATED - PNC 650241
- - NOT TRANSLATED - PNC 650242
- - NOT TRANSLATED - PNC 650243

APPROVAL: \_\_\_\_\_

Front

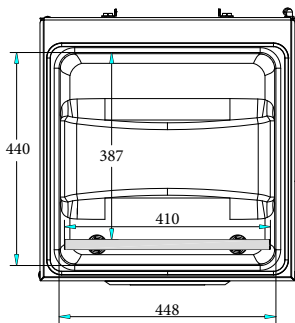


Side

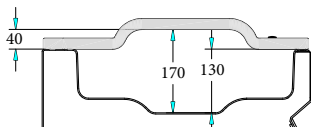


EI = Electrical inlet (power)

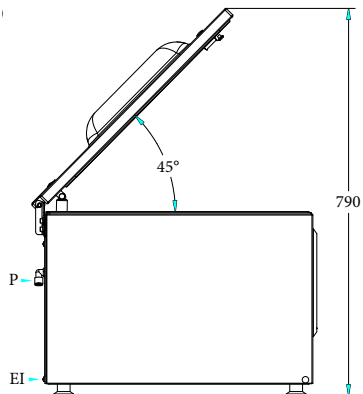
Top



Other



Perspective



### Electric

Supply voltage:	220-240 V/1N ph/50-60 Hz
Total Watts:	0.9 kW
Plug type:	UK-13A

### Key Information:

Filling board nr:	3
Gas nozzles:	2
External dimensions, Width:	531 mm
External dimensions, Depth:	594 mm
External dimensions, Height:	440 mm
Net weight (kg):	62
Well Capacity:	25.2 lt
Pump:	20 m <sup>3</sup> /h
Sealing bar position:	Front
Sealing bar length:	410 mm
Max chamber (chamber + cover) dimensions:	440 x 448 x 170 mm
Chamber working dimensions:	387 x 448 x 130 mm